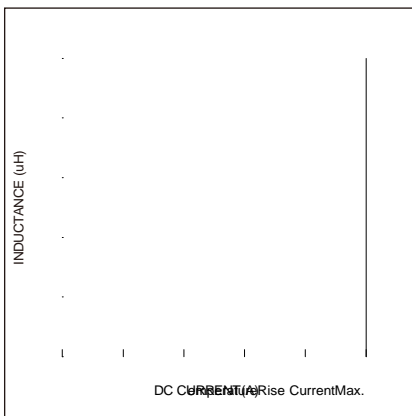
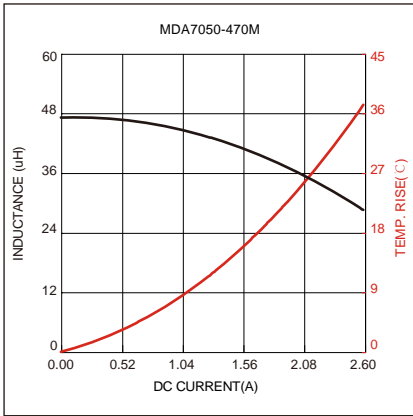
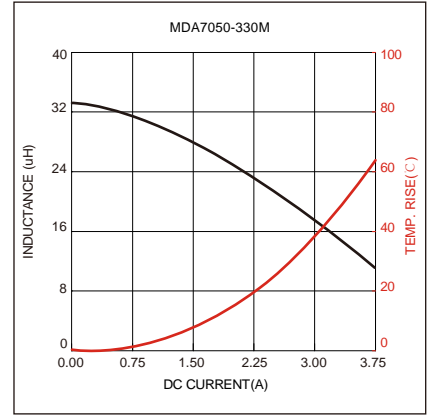
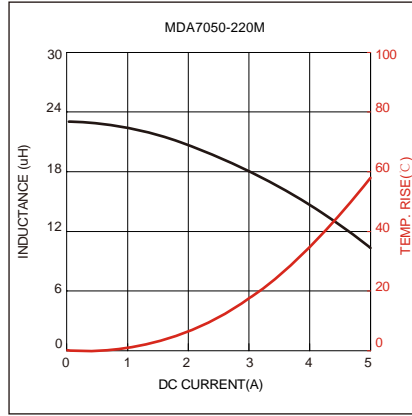
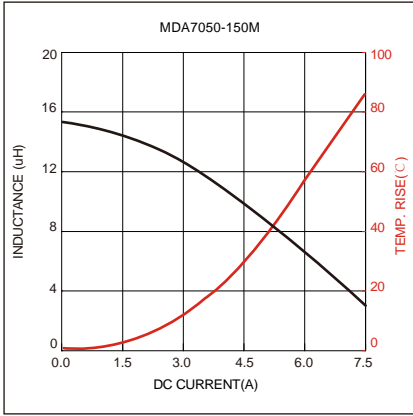




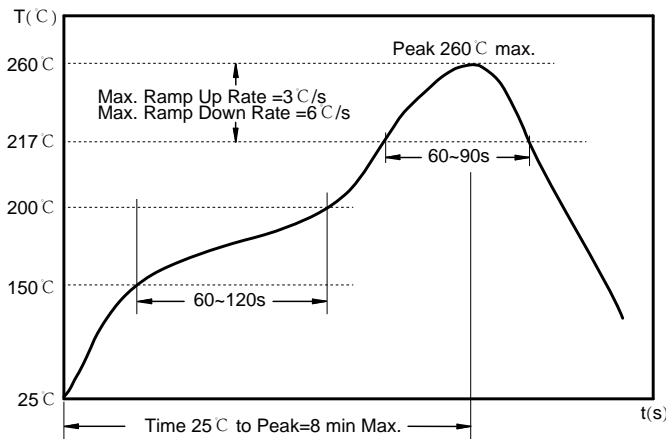
| Part No | Inductance @ 100KHz/1V (μH) | Tolerance | Temperature Rise Current Typ. (A) | Saturation Current Typ. (A) | DC Resistance Typ. (mΩ) | DC Resistance Max. (mΩ) |
|---------|-----------------------------|-----------|-----------------------------------|-----------------------------|-------------------------|-------------------------|
|         |                             |           |                                   |                             |                         |                         |
|         |                             |           |                                   |                             |                         |                         |
|         |                             |           |                                   |                             |                         |                         |

Typical Electrical Characteristics:





## Soldering Reflow:



Preheat condition: 150 ~200°C / 60~120 sec.

Allowed time above 217°C : 60~90 sec.

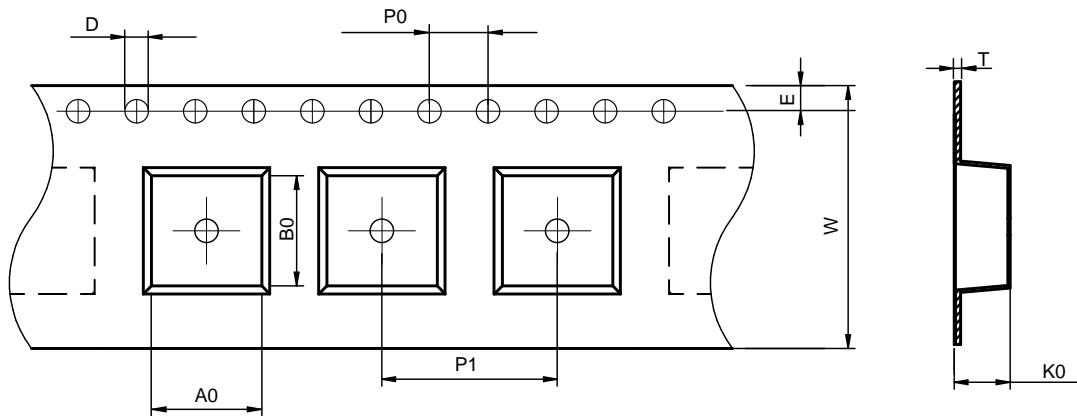
Max temperature: 260°C .

Max time at max temperature: 10 sec.

Allowed Reflow time: 2x max.

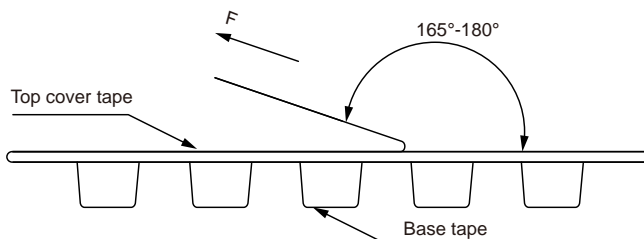
## Packaging Information:

### Tape Dimension :



| Series  | A0 (mm) | B0 (mm) | D (mm)  | P0 (mm) | P1 (mm)  | W (mm)   | K0 (mm) | E (mm)   | T (mm)    |
|---------|---------|---------|---------|---------|----------|----------|---------|----------|-----------|
| MDA7050 | 6.9±0.1 | 7.5±0.1 | 1.5±0.1 | 4.0±0.1 | 12.0±0.1 | 16.0±0.3 | 5.4±0.1 | 1.75±0.1 | 0.40±0.05 |

### Peel force of top cover tape:

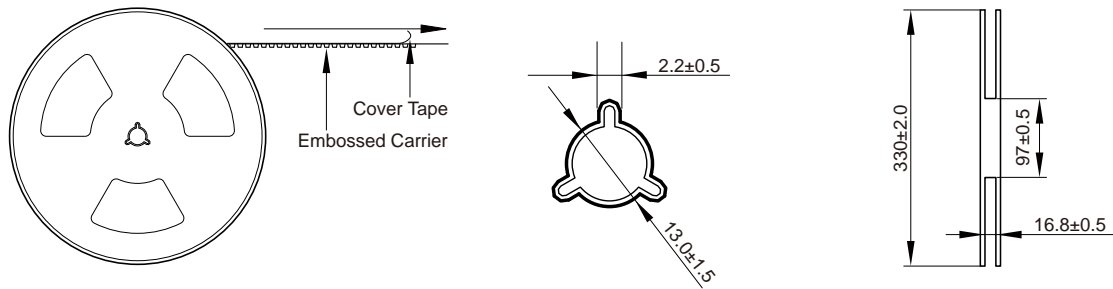


The peel force of top cover tape shall be between 0.1 to 1.3 N

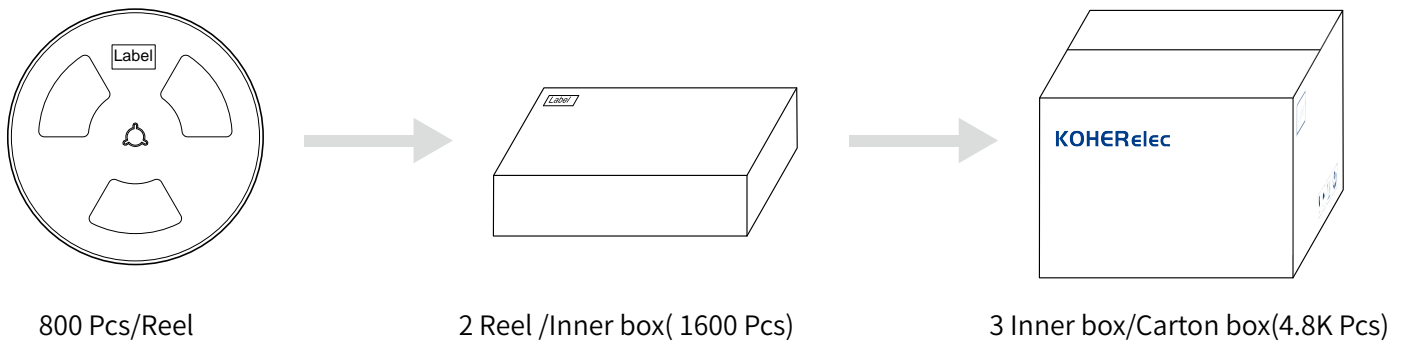
### Product Marking:

| Marking | K+Printing (Inductance+period) |
|---------|--------------------------------|
|---------|--------------------------------|

## Reel Dimension: [mm]



## Packaging Quantity:



## Cautions and Warnings:

### Storage Conditions :

- The storage period is within 12 months after the completion of production. Be sure to follow the storage conditions (temperature: -5 to 35°C, humidity: 75% RH Max).If the storage period elapses, the soldering of the terminal electrodes may deteriorate.The warranty period is one year.
- Product should not be exposed to environment with high temperature, high humidity, dust, corrosive gas and etc.
- Products should be handled with care to avoid damage or contamination from perspiration and skin oils.
- Please always handle products carefully to prevent any damage caused by dropping down or inappropriate removing.

### Operation Instructions:

- Self heating (temperature increase) occurs when the power is turned ON, so the tolerance should be sufficient for the set thermal design.
- Before soldering, be sure to preheat components.The preheating temperature should be set so that the temperature difference between the solder temperature and chip temperature does not exceed 150°C.
- Soldering corrections after mounting should be within the range of the conditions determined in the specifications.If overheated, a short circuit, performance deterioration, or lifespan shortening may occur.
- Generally, Koher might not be familiar with either customer's specific application or actual requests as customer does.As a result customer shall be responsible for checking and confirming whether Koher product with the performance described in the product specification is suitable for using in customer's particular application or not.