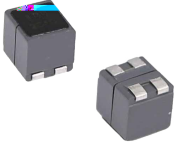


DMMA Series

Molded Inductor

Size 7078



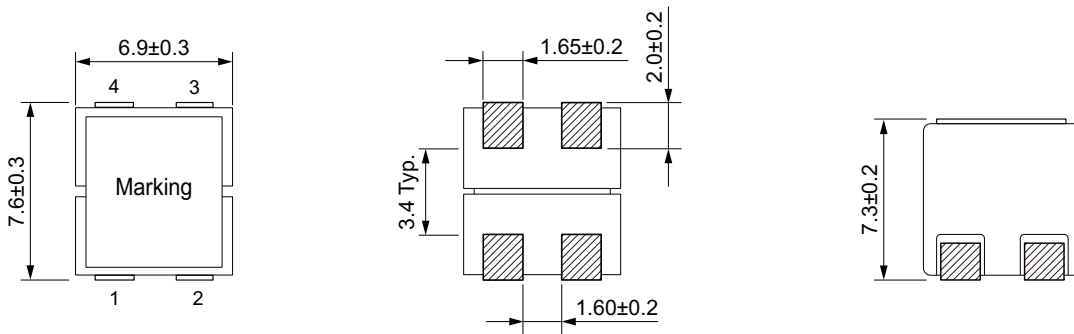
FEATURES

-
-
- Ultra low buzz noise, due to composite construction.
-
- AEC-Q200 qualified
- Operating temperature: -55 to +125 °C (including self-temperature rise)
- Quantity: 600PCS

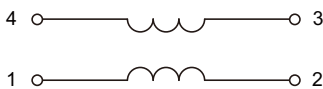
APPLICATION

- Automotive applications

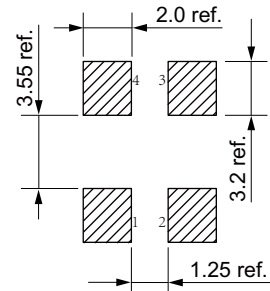
Dimensions: [mm]



Schematic:



Land Pattern: [mm]



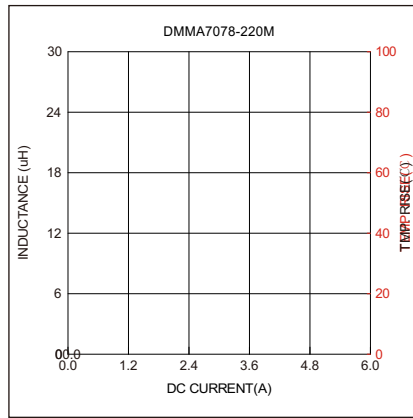
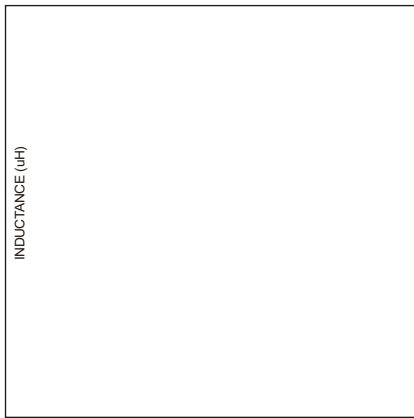
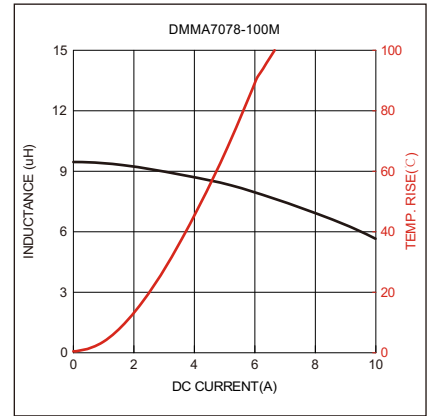
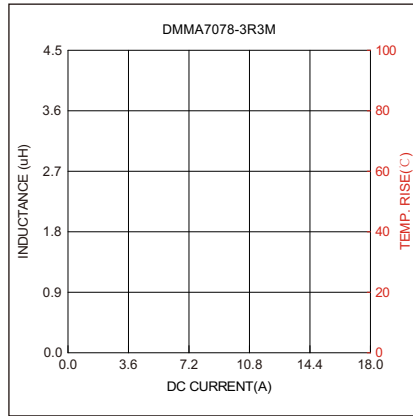
Electrical Properties:

| Part No | Inductance @ 100KHz/1V (μH) | Tolerance | Temperature Rise Current Typ. (A) | Temperature Rise Current Max. (A) | Saturation Current Typ. (A) | Saturation Current Max. (A) | DC Resistance Max. (mΩ) |
|----------------|-----------------------------|-----------|-----------------------------------|-----------------------------------|-----------------------------|-----------------------------|-------------------------|
| DMMA 7078-1R0M | | | 9.8 | 8.8 | | 16.5 | 6.5 |
| DMMA 7078-3R3M | | | 5.7 | 5.1 | | | |
| DMMA 7078-100M | | | 3.5 | | 6.8 | 5.8 | |
| DMMA 7078-150M | 15.0 | | | | 6.0 | 5.1 | |
| DMMA 7078-220M | | | | | | | |

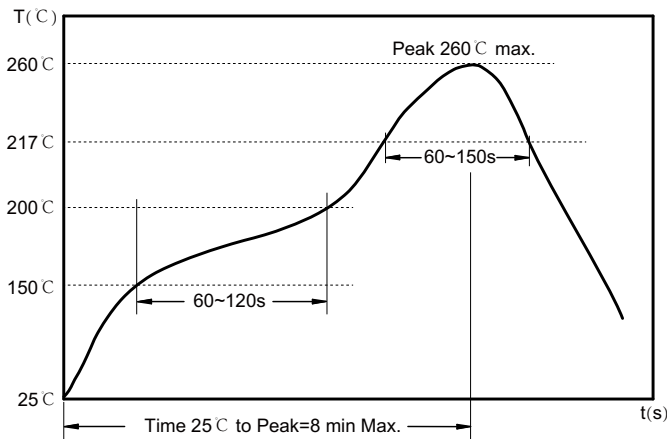
Saturation Current will cause L to drop approximately 30%

Temperature Rise Current: The actual value of DC current when the temperature rise is $\Delta T=40^{\circ}\text{C}$

Typical Electrical Characteristics:



Soldering Reflow:



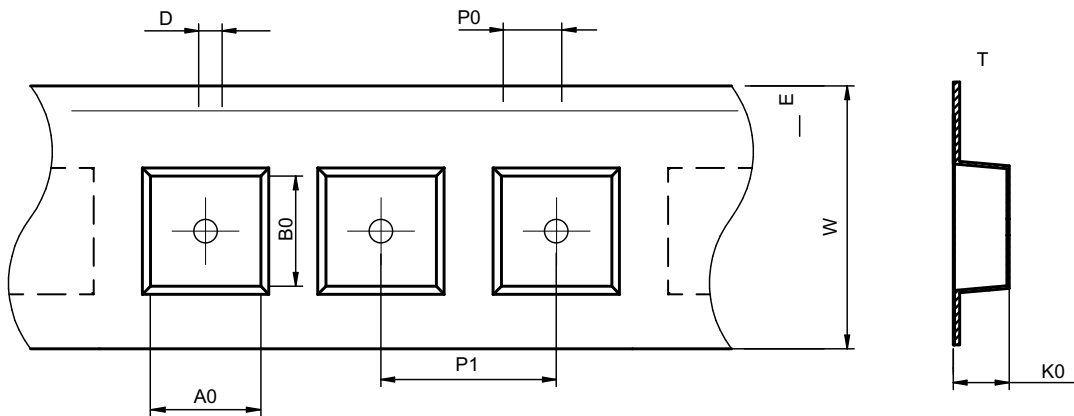
Preheat condition: 150 ~200 °C / 60~120 sec.

Allowed time above 217 °C: 60~150 sec.

Max temperature: 260 °C.

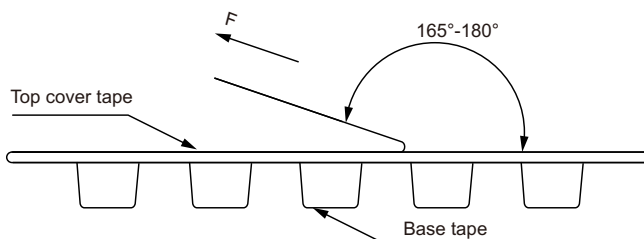
Packaging Information:

Tape Dimension:



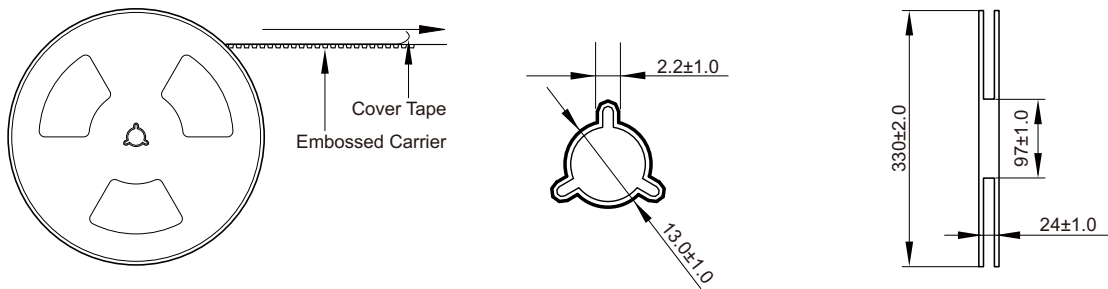
| Series | A0 (mm) | B0 (mm) | D (mm) | P0 (mm) | P1 (mm) | W (mm) | K0 (mm) | E (mm) | T (mm) |
|----------|---------|---------|----------|---------|----------|----------|---------|----------|---------|
| DMMA7078 | 8.1±0.1 | 7.3±0.1 | 1.50±0.1 | 4.0±0.1 | 12.0±0.1 | 24.0±0.3 | 7.8±0.1 | 1.75±0.1 | 0.5±0.1 |

Peel force of top cover tape:

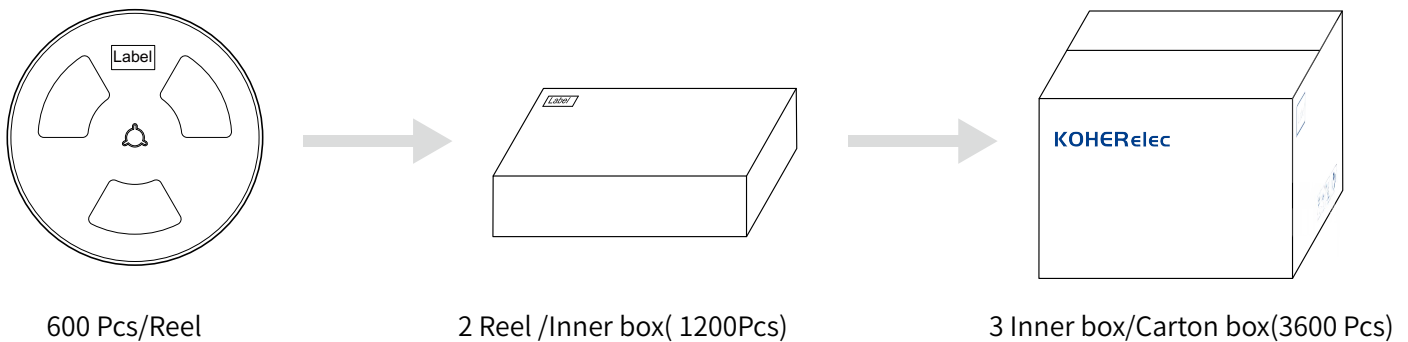


The peel force of top cover tape shall be between 0.1 to 1.3 N

Reel Dimension: [mm]



Packaging Quantity:



Cautions and Warnings:

Storage Conditions :

- The storage period is within 12 months after the completion of production. Be sure to follow the storage conditions (temperature: -5 to 35°C, humidity: 75% RH Max). If the storage period elapses, the soldering of the terminal electrodes may deteriorate. The warranty period is one year.
- Product should not be exposed to environment with high temperature, high humidity, dust, corrosive gas and etc.
- Products should be handled with care to avoid damage or contamination from perspiration and skin oils.
- Please always handle products carefully to prevent any damage caused by dropping down or inappropriate removing.

Operation Instructions:

- Self heating (temperature increase) occurs when the power is turned ON, so the tolerance should be sufficient for the set thermal design.
- Before soldering, be sure to preheat components. The preheating temperature should be set so that the temperature difference between the solder temperature and chip temperature does not exceed 150°C.
- Soldering corrections after mounting should be within the range of the conditions determined in the specifications. If overheated, a short circuit, performance deterioration, or lifespan shortening may occur.
- Generally, Koher might not be familiar with either customer's specific application or actual requests as customer does. As a result customer shall be responsible for checking and confirming whether Koher product with the performance described in the product specification is suitable for using in customer's particular application or not.